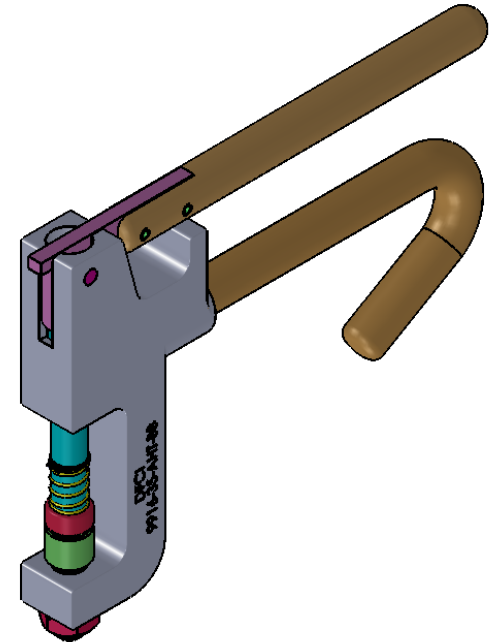
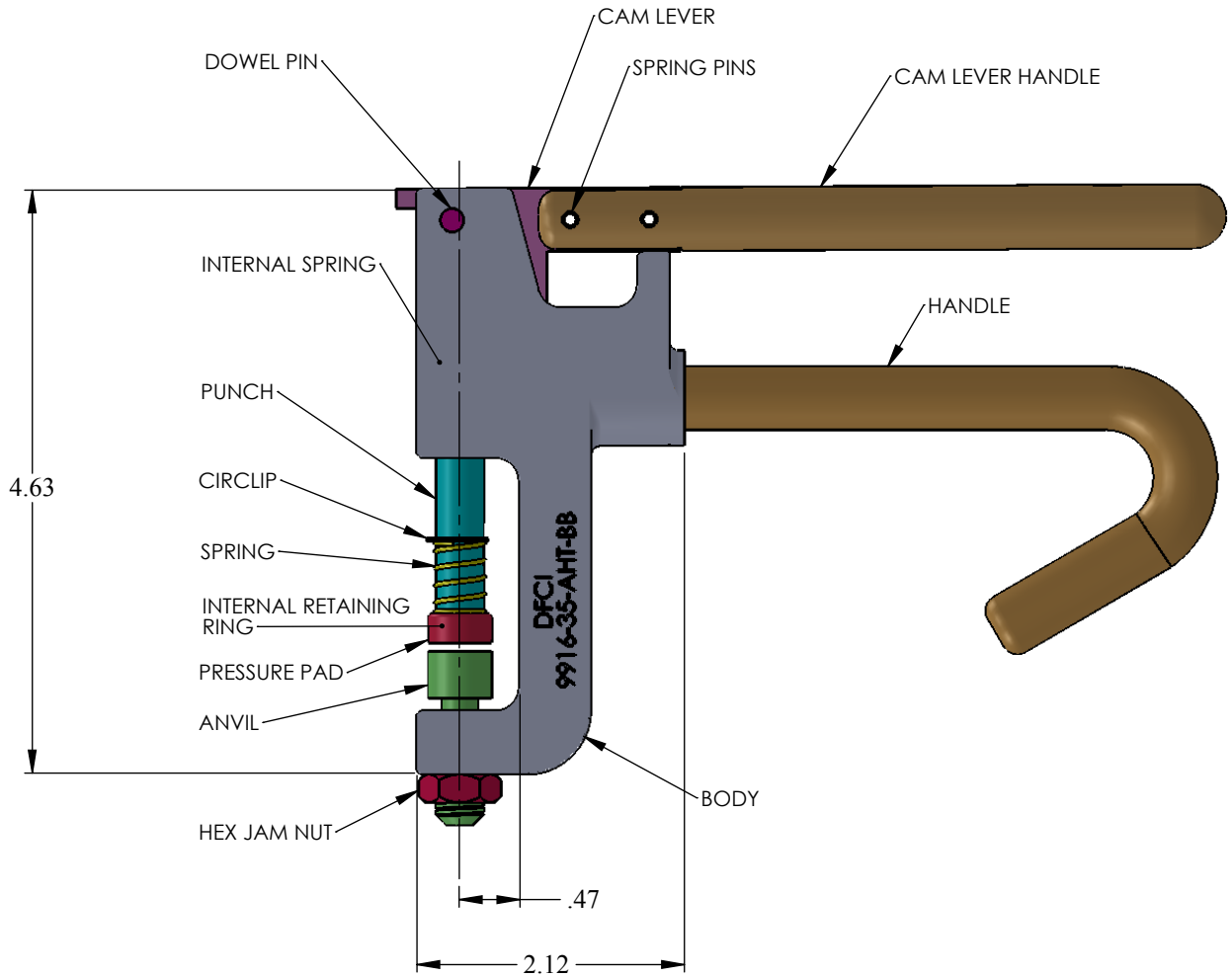


# UNCONTROLLED

REVISIONS			
SYS	DESCRIPTION	DATE	APPROV
C	PER ECN 1168 & 854	10-19-11	



MATERIAL: CARBON STEEL
HEAT TREAT:
FINISH: BLACK BEAR RUST INHIBITOR
THE FASTENER PARTS SHOWN IN THIS PRINT ARE PROPRIETARY ARTICLES TO WHICH DFCI SOLUTIONS INC., RETAINS THE EXCLUSIVE RIGHTS OF MANUFACTURE, USE AND SALE. THE PRINT OR DRAWING IS SUBMITTED IN CONFIDENCE AND DOES NOT CONVEY A LICENSE OR PERMISSION TO MANUFACTURE THE FASTENER OR FASTENER PARTS. (C) COPYRIGHT 2009, DFCI SOLUTIONS INC. ALL RIGHTS RESERVED.

TOLERANCES ON DIMENSIONS UNLESS OTHERWISE SPECIFIED			
X* = ±2°		.XX = ±.015	
X/X = ±1/32		.XXX = ±.010	
MACHINE FINISH = 125/7			
PART NO.	9916-35-AHT-BB	DRN	Frank Basile
		DATE	10-19-11
		CHK.	Frank Basile
		DATE	10-19-11
		ENG.	Robert Altabrand
		DATE	10-19-11
		MFG.	Charles J. Parnell
		DATE	10-19-11
		G.C.	Robert Altabrand
		DATE	10-19-11
NEXT ASSY	USED ON	SALES.	
APPLICATION BLOCK			

**DFCI SOLUTIONS INC.**  
425 UNION BOULEVARD.  
WEST ISLIP, NEW YORK 11795

TITLE			
9916-35-AHT-BB PA-3500 HAND INSTALLATION TOOL			
SIZE	FSCM NO.	DWG. NO.	REV.
A	72794	C9916-35-AHT	C
SCALE: NTS		WEIGHT:	SHEET 1 OF 1