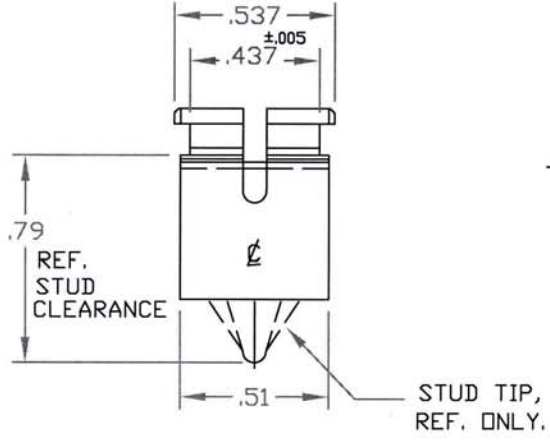
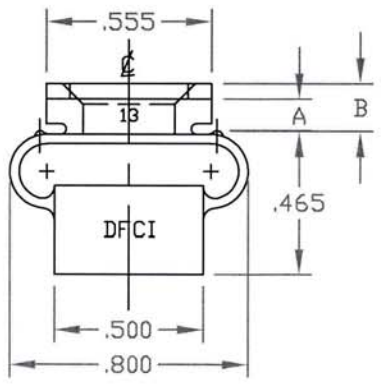
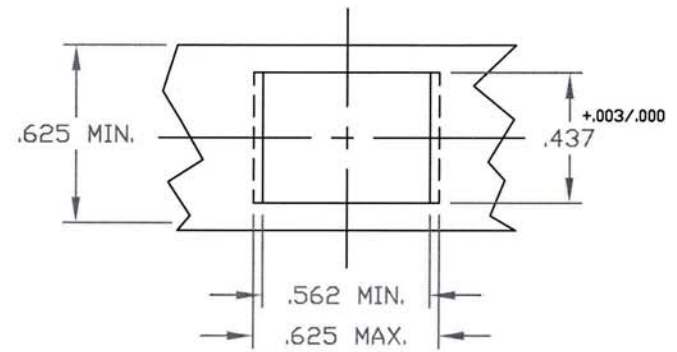
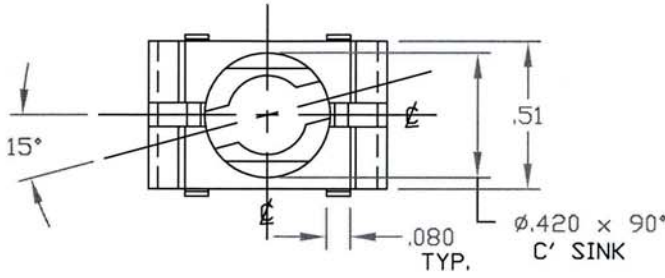


UNCONTROLLED

C4604-003 REV. A

REVISIONS			
SYM	DESCRIPTION	DATE	APPROV
A	INITIAL RELEASE PER ECN 845	1-8-09	FB



SUPPORT PREPARATION

PART NO.	"A"	"B"	SUPPORT RANGE:	WEIGHT	COLOR
4604-12-BK	.056	.108	.032 - .050	.0038	BLACK
4604-13-BK	.106	.158	.051 - .100		

- NOTES:
- MATERIAL: ACETAL COPOLYMER RESIN, TX90, PLASTIC.
 - CUSTOM COLORS ARE DONE ON SPECIAL ORDERS.

MAT'L PER NOTE 1.		TOLERANCES ON DIMENSIONS UNLESS OTHERWISE SPECIFIED X° = ±2° .XX = ±.015 X/X = ±1/32 .XXX = ±.010 MACHINE FINISH 125/T		DFCI SOLUTIONS INC. 425 UNION BOULEVARD WEST ISLIP, NEW YORK 11795	
HEAT TREAT NONE.		PART NO.		DATE 1-8-09	
FINISH CLEAN & FREE OF BURRS.		DRN S. FRANGIS		DATE 1-8-09	
<small>THE FASTENER PARTS SHOWN IN THIS PRINT ARE PROPRIETARY ARTICLES TO WHICH DFCI SOLUTIONS INC. RETAINS THE EXCLUSIVE RIGHTS OF MANUFACTURE, USE AND SALE. THE PRINT OR DRAWING IS SUBMITTED IN CONFIDENCE AND DOES NOT CONVEY A LICENSE OR PERMISSION TO MANUFACTURE THE FASTENER OR FASTENER PARTS. © COPYRIGHT 2003, DFCI SOLUTIONS INC. ALL RIGHTS RESERVED. DATE: 07/01/06 FORM: DRAWING</small>		CHK F. Basil		DATE 1-14-09	
		ENG B. Hilder		DATE 1/14/09	
		MFB B. Hilder		DATE 1/14/09	
		DATE 07/01/06		DATE 1/14/09	
NEXT ASSY		USED ON		SALES	
APPLICATION BLOCK		SALES		DATE	
SIZE A	FSCM NO 72794	DWG. NO. C4604-003		REV. A	
SCALE NTS	WT.	SHEET 1 OF 1			