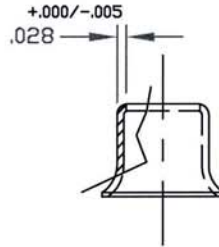


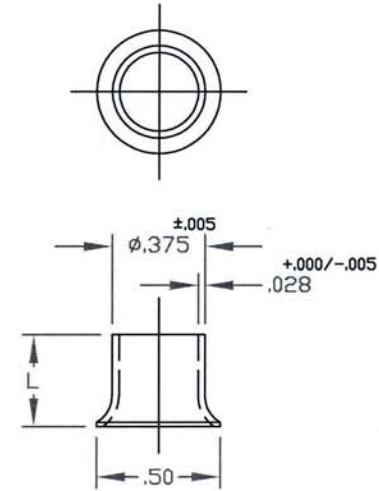
UNCONTROLLED

C1271-5 REV. E

REVISIONS			
SYM	DESCRIPTION	DATE	APPROV
E	ADD TOL. TO .375 DIA. ECN 1102	9-29-08	R.C.



ALTERNATIVE VIEW
(SEE NOTE 1)



PART NO.	L	MATERIAL
1271-5200	.200	ALUM. (SEE NOTE 2)
1271-5218	.218	
1271-5250	.250	
1271-5312	.312	
1271-5350	.350	
1271-5375	.375	
1271-5500	.500	COPPER NICKEL
1271-5200-RN	.200	
1271-5218-RN	.218	
1271-5250-RN	.250	
1271-5312-RN	.312	
1271-5350-RN	.350	
1271-5375-RN	.375	
1271-5500-RN	.500	

NOTES:

1. ALTERNATE VIEW SHOWING CHAMFER WHEN GROMMETS ARE MADE OF ALUMINUM OR COPPER STRIP, A SLIGHT IRREGULAR LEDGE IS PERMISSIBLE AND DOES NOT AFFECT THE USE OF THE GROMMET.
2. PLEASE VISIT WWW.DFCIS.COM/C1271-5 FOR A LIST OF AVAILABLE FINISHES. (ALUM. GROMMETS)

MAT'L 3003H14 - 1100H14 ALUM. OR COPPER NICKEL.		TOLERANCES ON DIMENSIONS UNLESS OTHERWISE SPECIFIED $X^* = \pm 2^*$.XX = $\pm .015$ $X/X = \pm 1/32$.XXX = $\pm .010$		DFCI SOLUTIONS INC. 425 UNION BOULEVARD WEST ISLIP, NEW YORK 11795	
HEAT TREAT NONE.		PART NO. _____ DRN <i>S. Francis</i> DATE 7-14-04 CHK <i>F. Basile</i> DATE 9-29-08 ENG <i>John Cochran</i> DATE 9-29-08 MFG <i>John Cochran</i> DATE 9-29-08 QA <i>B. Kibala</i> DATE 9/29/08		TITLE 1200 LINE FULL GROMMET, 1271-5xxx.	
FINISH CLEAN AND FREE OF BURRS.		NEXT ASSY _____ USED ON _____ APPLICATION BLOCK SALES		SIZE A FSCM NO. 72794 DWG. NO. C1271-5 REV. E	
<small>THE FASTENER PARTS SHOWN IN THIS PRINT ARE PROPRIETARY ARTICLES TO WHICH DFCI SOLUTIONS INC. RETAINS THE EXCLUSIVE RIGHTS OF MANUFACTURE, USE AND SALE. THE PRINT OR DRAWING IS SUBMITTED IN CONFIDENCE AND DOES NOT CONVEY A LICENSE OR PERMISSION TO MANUFACTURE THE FASTENER OR FASTENER PARTS.</small>		SCALE _____ NTS _____ WT. _____		SHEET 1 OF 1	

DATE: 07/01/06 FORM: DRAWING