

TL-7800 Line



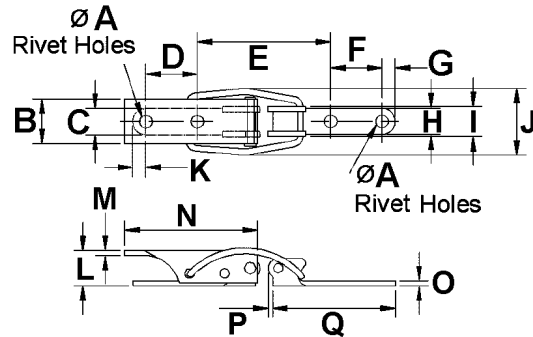
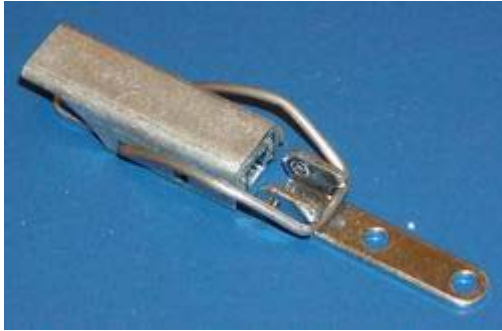
The DFCI TL-7800 Line of Toggle Latches offers the designer a wide choice of types to suit many applications, from simple containers, toolboxes, industrial canister type vacuum cleaner, insulation cladding, to sophisticated medical equipment. Toggle Latches have the advantage of being a quick release fastener, with the added benefit that they do not extend into the equipment being fastened.

TL-7800 Line



7840-Z3Y & 7840-SS Miniature Toggle Latch

7840-Z3Y & 7840-SS Miniature Toggle Latch



The 7840-Z3Y & 7840-SS are a miniature Toggle Latch for use on a narrow banding or in limited space. It is suitable as a general-purpose, light duty latch.

Note: Toggle Latch and Strike must be ordered separately.

Dimensions:

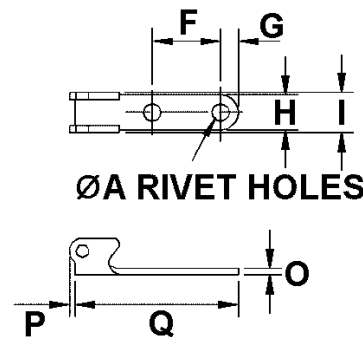
	(inch)	(mm)
A	.130	3.30
B	.450	11.43
C	.275	6.99
D	.531	13.49
E	1.438	36.53

	(inch)	(mm)
F	.531	13.49
G	.137	3.48
H	.275	6.99
I	.310	7.87

	(inch)	(mm)
J	.695	17.65
K	1.37	3.48
L	.365	9.27
M	.050	1.27
N	1.375	34.93

	(inch)	(mm)
O	.050	1.27
P	.045	1.14
Q	1.270	32.26

7840-C1-Z3Y & 7840-C1-SS Strike



Specifications:

Locked Tension:	30 lb.
Pull-Up Ability:	.7 inches (17.78 mm)
Material:	All parts cold rolled steel except stainless steel wire link. Plated zinc with clear chromate finish. Available in Stainless Steel. To specify stainless steel, change the finish suffix from "-Z3Y" to "-SS". (E.g., 7840-SS and 7840-C1-SS)



TL-7800 Line

The 788x series of Toggle Latches consists of

- the 7880,
- the 7882,
- the 7883 and
- the 7886

The 788x series offers a versatile range of medium size toggle latches built for rough outdoor use. Any combination of latch and wire link in the series may be specified, and with separately ordered strikes, a custom latch is readily available.

Latches and strikes are offered in yellow zinc plated steel or all stainless steel. Wire links and the optional secondary lock catch for the 788x are always stainless steel. Handles are riveted to their base and link ends are staked inside the handle.

Latches are ordered as an assembly including the wire link. Basic part numbers call out steel levers and bases, zinc plated with a yellow chromate finish. To specify an all stainless latch assembly, change the finish suffix on the part number from “-Z3Y” to “-SS” to the part number. E.g., 7886-7-SS.

Specifications

7880	7882
Ultimate Strength: 700 lb. Working Strength: 7880-1-xxx: 300 lb. 7880-7-xxx, 7880-41-xxx, 7880-42-xxx: 100 lb. Pull-up Ability: .6 in. (15.24 mm)	Ultimate Strength: 700 lb. Working Strength: 7882-1-xxx: 300 lb 7882-7-xxx, 7882-41-xxx, 7882-42-xxx: 100 lb Pull-up Ability: .6 in. (15.24 mm)
7883	7886
Ultimate Strength: 220 lb. Working Strength: 45 lb. Pull-up Ability: .2 in. (5.08 mm)	Ultimate Strength: 220 lb. Working Strength: 45 lb. Pull-up Ability: .2 in. (5.08 mm)

Mounting holes: .156 in. (3.96 mm) diameter rivets or #6 round head screws.

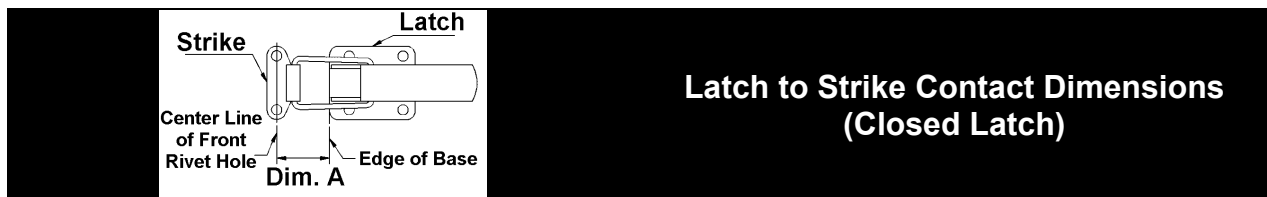
Material:

Steel, zinc plated with yellow chromate finish, per ASTM-B-633, Type II, SC2, or all stainless steel 300 series. (Change the finish suffix from “-Z3Y to “-SS”.)

TL-7800 Line



* The 7880 is available with a secondary lock to prevent accidental opening of the latch. Insert the number "24" in front of the finish suffix. Example Shown: 7880-4224-Z3Y.

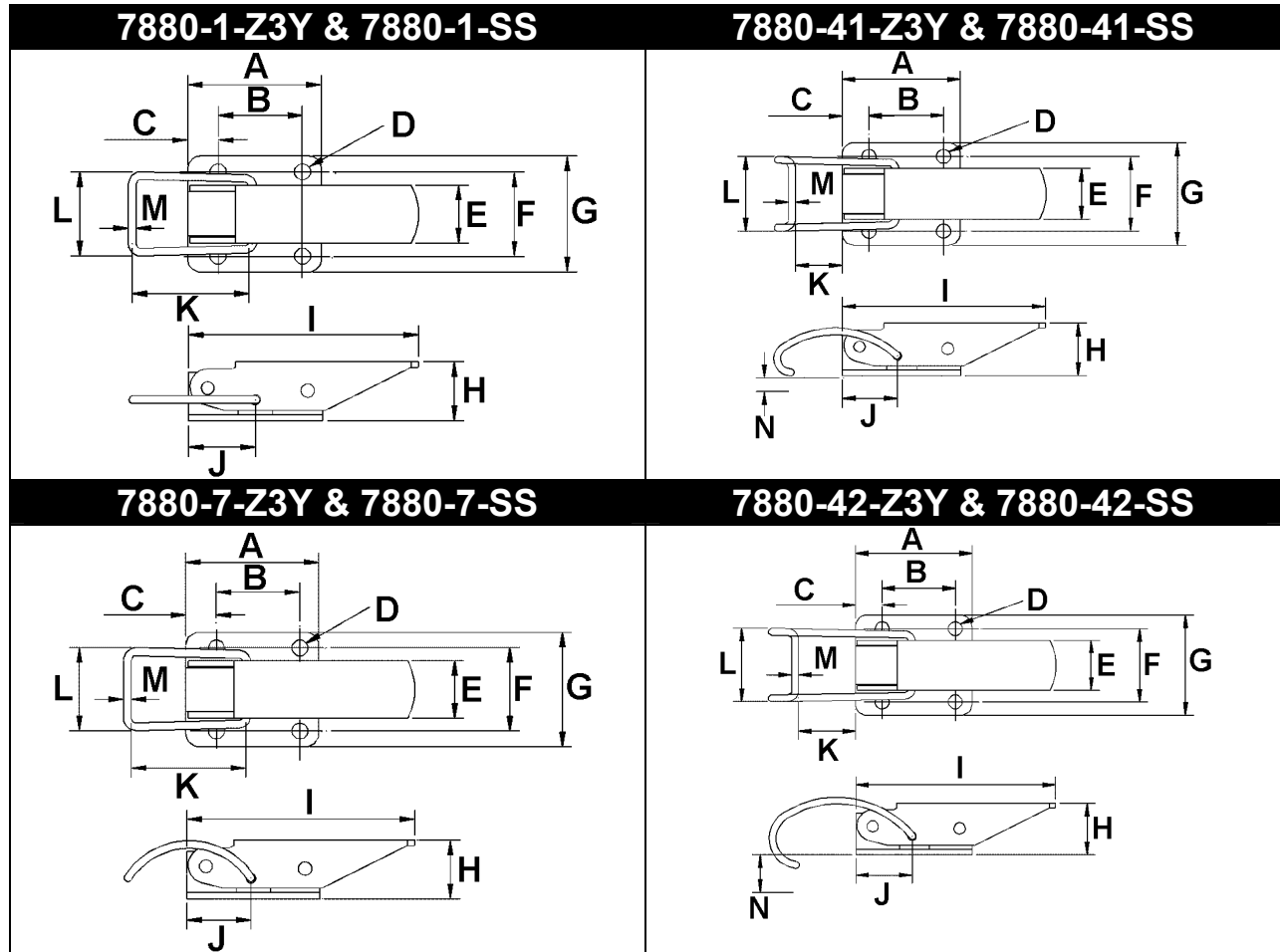


Latch to Strike Contact Dimensions (Closed Latch)

Basic Part No.	Standard Part	Stainless Steel Part	Strike 7880-C5-Z3Y / 7880-C5-SS Dim. A		Strike 7880-C7-Z3Y / 7880-C7-SS Dim. A		Strike 7880-C9-Z3Y / 7880-C9-SS Dim. A		Strike 7882-C2-Z3Y / 7882-C2-SS Dim. A	
			(in.)	(mm)	(in.)	(mm)	(in.)	(mm)	(in.)	(mm)
7880	7880-1-Z3Y	7880-1-SS	1.60	40.64	.85	21.59	.76	19.30	.93	23.62
	7880-7-Z3Y	7880-7-SS	1.65	41.91	.90	22.86	.82	20.83	.98	24.89

Latch to Link Contact Dimensions (Closed Latch)

End Of Link	Basic Part Number	Standard Part	Stainless Steel Part	No Strike Needed (Dim. B)	
				(inch)	(mm)
	7880	7880-41-Z3Y	7880-41-SS	.57	14.48
		7880-42-Z3Y	7880-42-SS	.71	18.03



Dimensions:

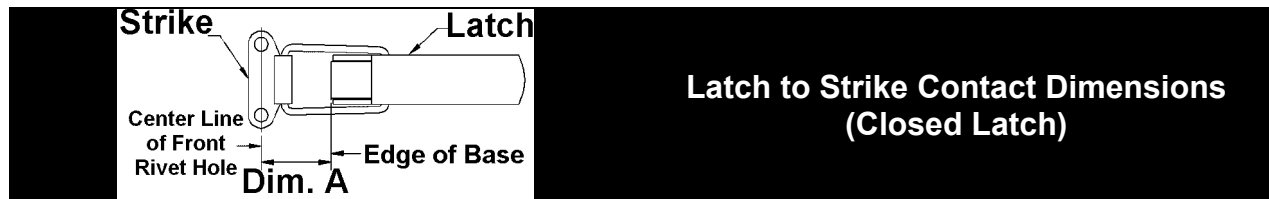
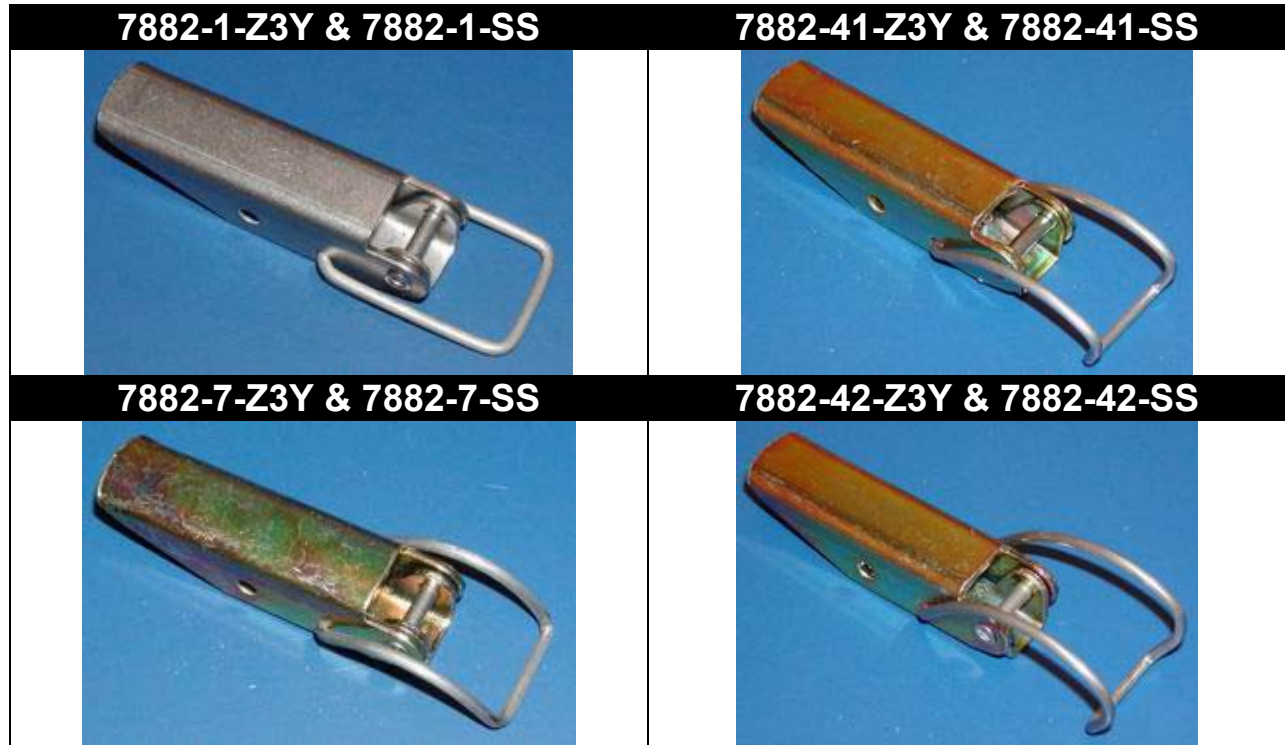
	(inch)	(mm)
A	1.375	34.93
B	.866	22.00
C	.315	9.53
D	.167	4.24
E	.63	16.00

	(inch)	(mm)
F	.866	22.00
G	1.2	30.48
H	.59	14.99
I	2.4	60.96
J	.71	18.03

K (7880-1-xxx)	1.26	32.00
K (7880-7-xxx)	1.26	32.00
K (7880-41-xxx)	.57	14.48
K (7880-42-xxx)	.71	18.03

L	.87	22.10
M	.08	2.03
N (7880-41-xxx)	.000 - .200	0.00 – 5.08
N (7880-42-xxx)	.160 - .360	4.06 – 9.14

TL-7800 Line



Latch to Strike Contact Dimensions (Closed Latch)

Basic Part No.u	Standard Part	Stainless Steel Part	Strike 7880-C5-Z3Y 7880-C5-SS Dim. A		Strike 7880-C7-Z3Y 7880-C7-SS Dim. A		Strike 7880-C9-Z3Y 7880-C9-SS Dim. A		Strike 7882-C2-Z3Y 7882-C2-SS Dim. A	
			(in.)	(mm)	(in.)	(mm)	(in.)	(mm)	(in.)	(mm)
7882	7882-1-Z3Y	7882-1-SS	1.64	41.66	.89	22.61	.80	20.32	.97	24.64
	7882-7-Z3Y	7882-7-SS	1.69	42.93	.95	24.13	.86	21.84	1.03	26.16

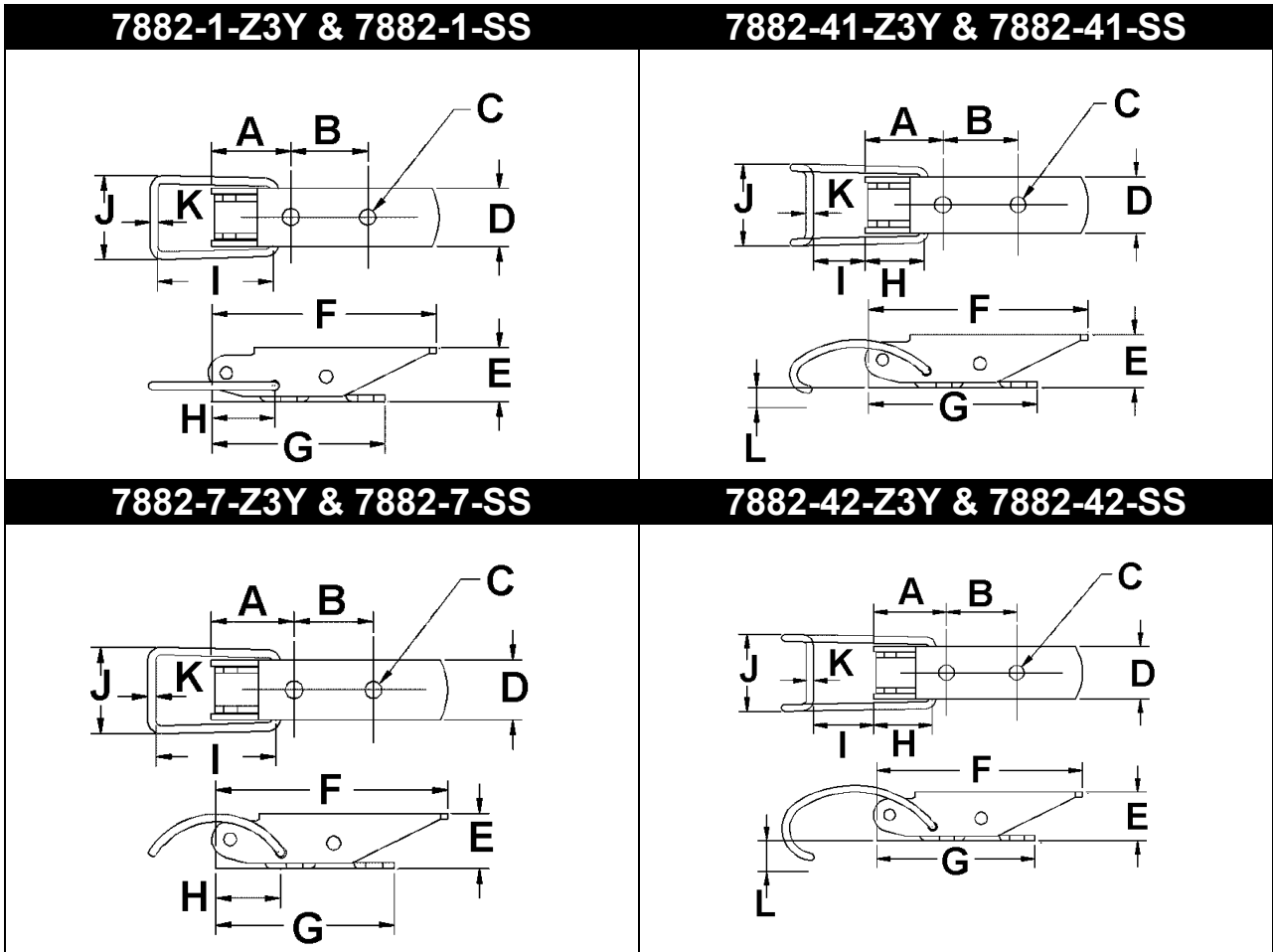
Latch to Link Contact Dimensions (Closed Latch)

End Of Link	Basic Part Number	Standard Part	Stainless Steel Part	No Strike Needed (Dim. B)	
				(inch)	(mm)
 Dim. B	7882	7882-41-Z3Y	7882-41-SS	.61	15.49
		7882-42-Z3Y	7882-42-SS	.75	19.05



Solutions Inc.

TL-7800 Line



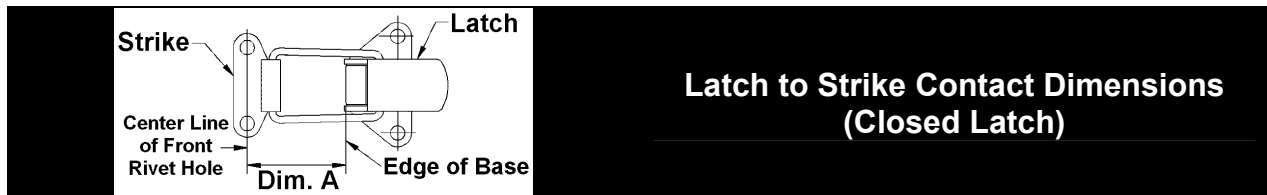
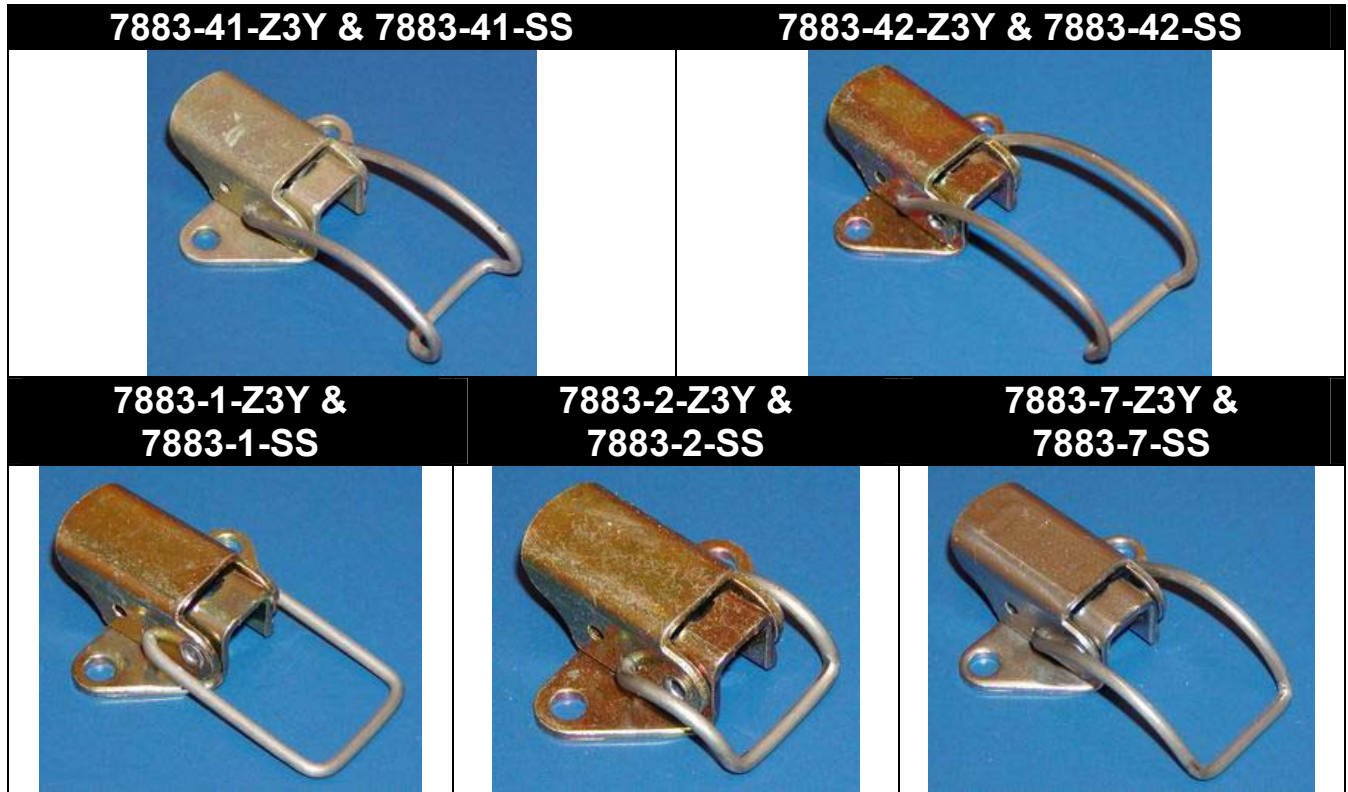
	(inch)	(mm)
A	.787	19.99
B	.787	19.99
C	.167	4.24
D	.63	16.00
E	.54	13.72

	(inch)	(mm)
F	2.4	60.96
G	1.7	43.18
H	.67	17.02
J	.87	22.10
K	.08	2.03

I (7882-1-xxx)	1.26	32.00
I (7882-7-xxx)	1.26	32.00
I (7882-41-xxx)	.61	15.49
I (7882-42-xxx)	.75	19.05

L (7882-41-xxx)	.00 - .20	0.00 - 5.08
L (7882-42-xxx)	.16 - .36	4.06 - 9.14

TL-7800 Line



Latch to Strike Contact Dimensions (Closed Latch)

Basic Part No..	Standard Part	Stainless Steel Part	Strike 7880-C5-Z3Y 7880-C5-SS Dim. A		Strike 7880-C7-Z3Y 7880-C7-SS Dim. A		Strike 7880-C9-Z3Y 7880-C9-SS Dim. A		Strike 7882-C2-Z37 7882-C2-SS Dim. A	
			(in.)	(mm)	(in.)	(mm)	(in.)	(mm)	(in.)	(mm)
7883	7883-1-Z3Y	7883-1-SS	1.87	47.50	1.12	28.45	1.04	26.42	1.20	30.48
	7883-2-Z3Y	7883-2-SS	1.34	34.04	.59	14.99	.51	12.95	.67	17.02
	7883-7-Z3Y	7883-7-SS	1.93	49.02	1.18	29.97	1.10	27.94	1.26	32.00

Latch to Link Contact Dimensions (Closed Latch)

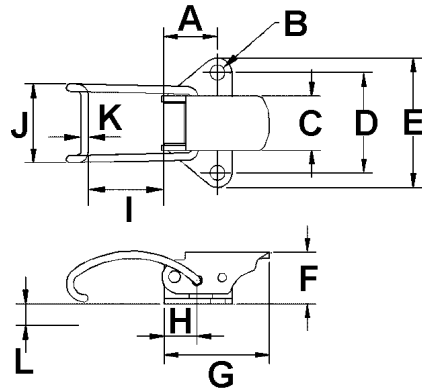
Basic Part Number	Standard Part	Stainless Steel Part	No Strike Needed (Dim. B)	
			(inch)	(mm)
7883	7883-41-Z3Y	7883-41-SS	.85	21.59
	7882-42-Z3Y	7883-42-SS	.98	24.89



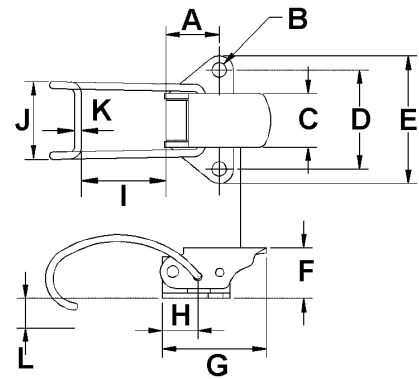
Solutions Inc.

TL-7800 Line

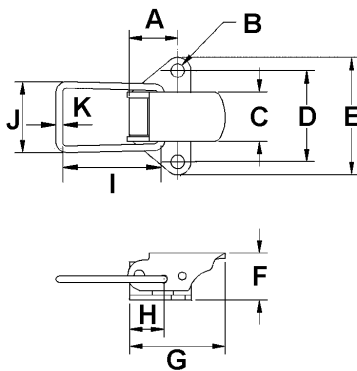
7883-41-Z3Y & 7883-41-SS



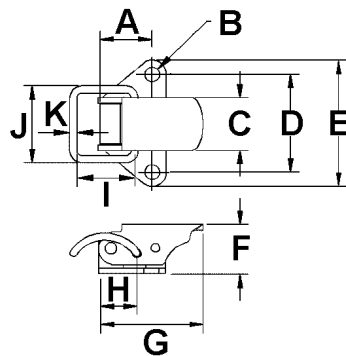
7883-42-Z3Y & 7883-42-SS



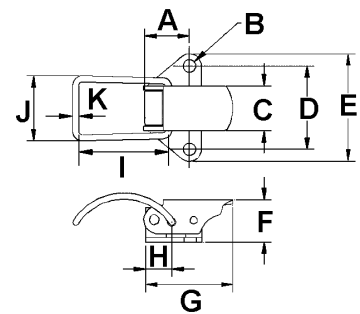
7883-1-Z3Y & 7883-1-SS



7883-2-Z3Y & 7883-2-SS



7883-7-Z3Y & 7883-7-SS



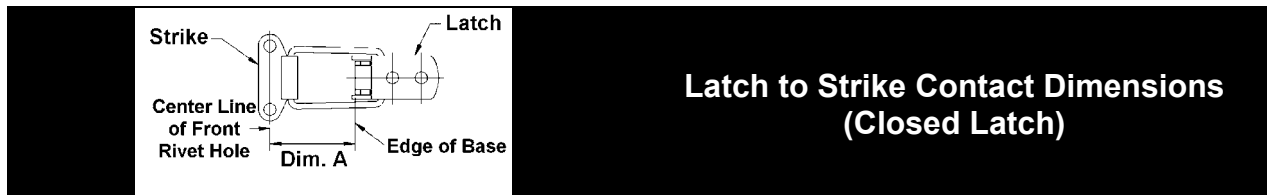
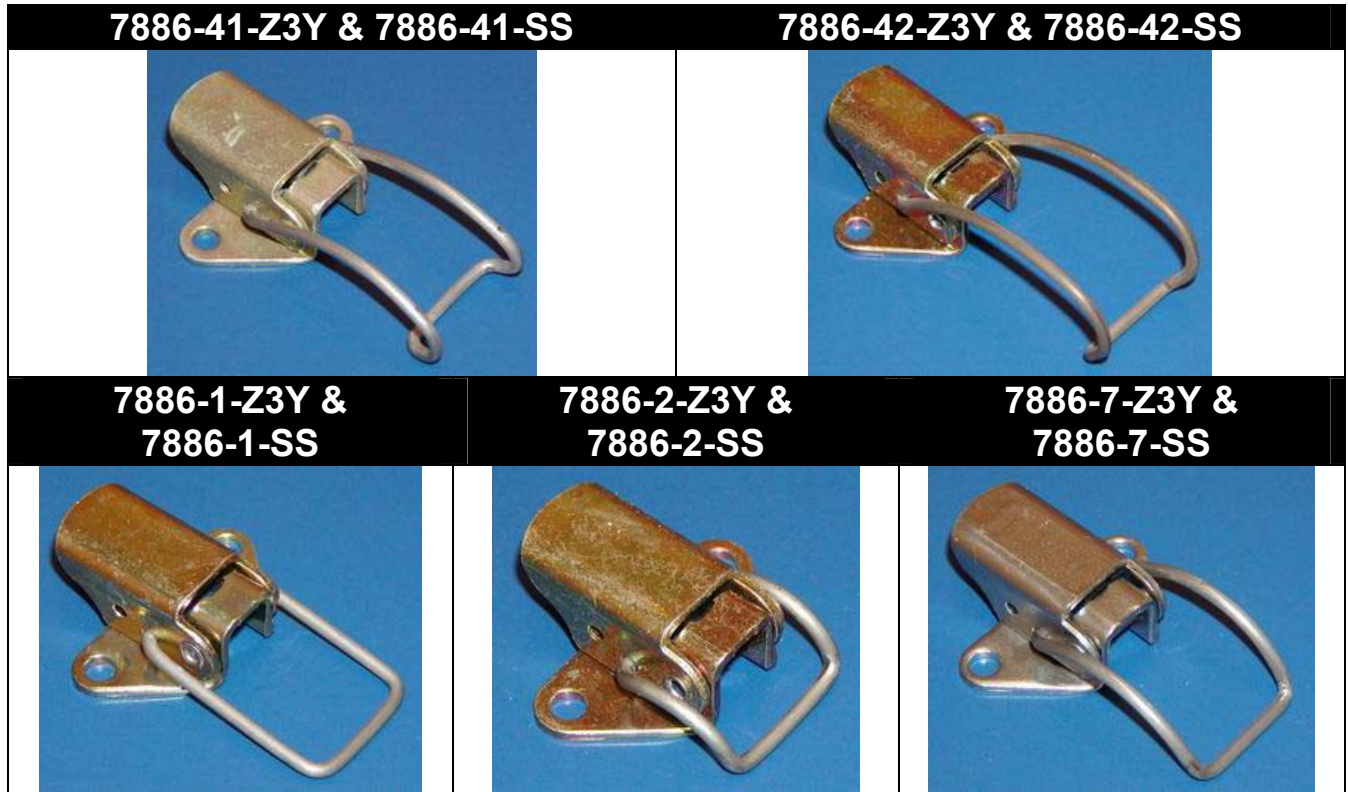
	(inch)	(mm)
A	.590	14.99
B	.167	4.24
C	.60	15.24
D	1.1	27.94
E	1.4	35.56

	(inch)	(mm)
F	.53	13.46
G	1.18	29.97
H	.43	10.92
J	.87	22.10
K	.08	2.03

I (7883-1-xxx)	1.26	32.00
I (7883-2-xxx)	.69	17.53
I (7883-7-xxx)	1.26	32.00
I (7883-41-xxx)	.85	21.59
I (7883-42-xxx)	.98	24.89

L (7883-41-xxx)	.00 - .20	0.00 - 5.08
L (7883-42-xxx)	.16 - .36	4.06 - 9.14

TL-7800 Line



Latch to Strike Contact Dimensions (Closed Latch)

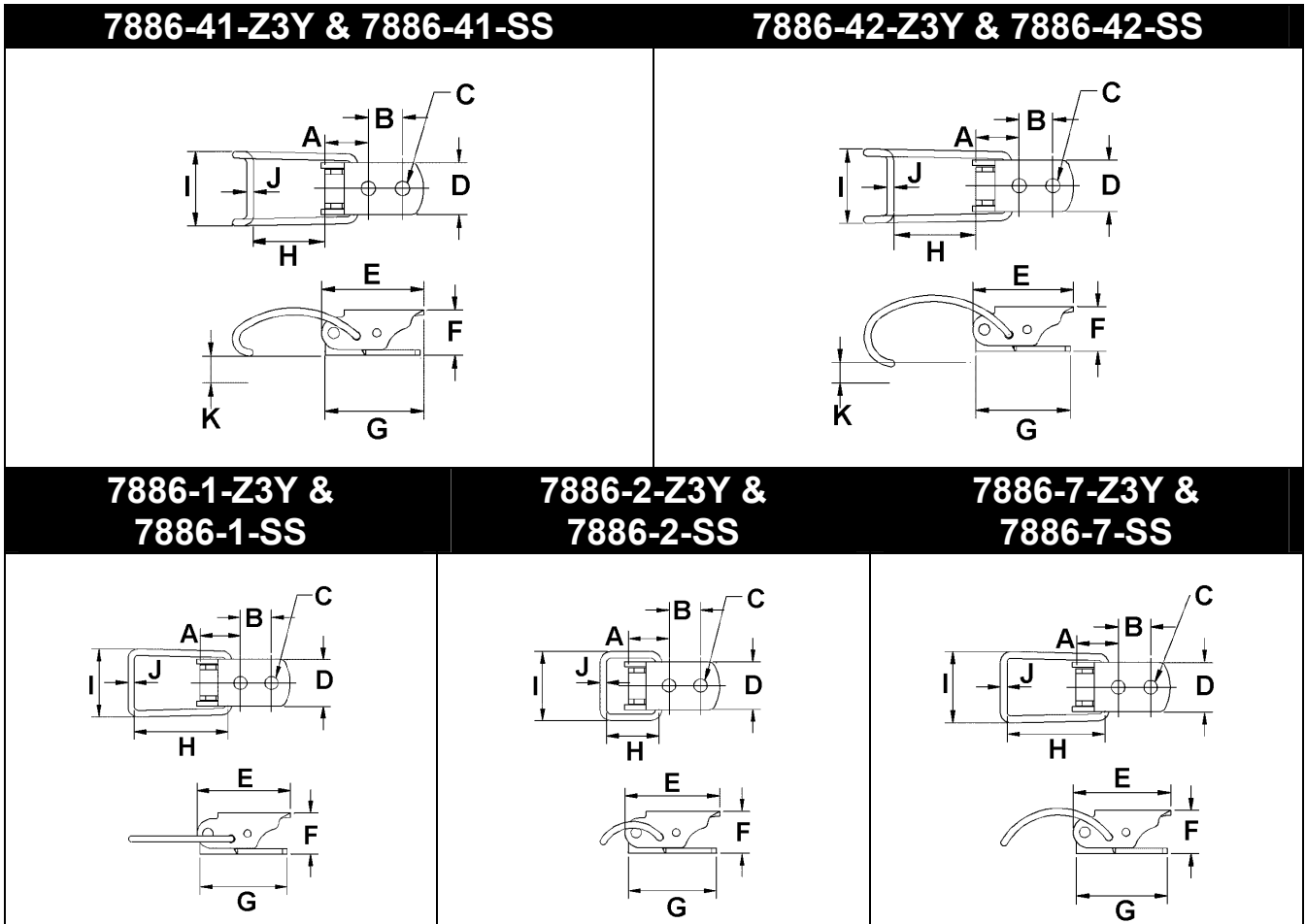
Basic Part No.	Standard Part	Stainless Steel Part	Strike 7880-C5-Z3Y 7880-C5-SS Dim. A		Strike 7880-C7-Z3Y 7880-C7-SS Dim. A		Strike 7880-C9-Z3Y 7880-C9-SS Dim. A		Strike 7882-C2-Z3Y 7882-C2-SS Dim. A	
			(in.)	(mm)	(in.)	(mm)	(in.)	(mm)	(in.)	(mm)
7886	7886-1-Z3Y	7886-1-SS	1.87	47.50	1.12	28.45	1.04	26.42	1.20	30.48
	7886-2-Z3Y	7886-2-SS	1.34	34.04	.59	14.99	.51	12.95	.67	17.02
	7886-7-Z3Y	7886-7-SS	1.93	49.02	1.18	29.97	1.10	27.94	1.26	32.00

Latch to Link Contact Dimensions (Closed Latch)						
End of Link	Edge of Base	Basic Part Number	Standard Part	Stainless Steel Part	No Strike Needed (Dim. B)	
					(inch)	(mm)
Dim. B		7886	7886-41-Z3Y	7886-41-SS	.85	21.59
			7886-42-Z3Y	7886-42-SS	.98	24.89



Solutions Inc.

TL-7800 Line



	(inch)	(mm)
A	.510	12.95
B	.394	10.01
C	.167	4.24
D	.590	14.99
E	1.18	29.97

	(inch)	(mm)
F	.53	13.46
G	1.10	27.94
I	.87	22.10
J	.08	2.03

H (7886-1-xxx)	1.26	32.00
H (7886-2-xxx)	.69	17.53
H (7886-7-xxx)	1.26	32.00
H (7886-41-xxx)	.85	21.59
H (7886-42-xxx)	.98	24.89

K (7886-41-xxx)	.00 - .20	0.00 - 5.08
K (7886-42-xxx)	.16 - .36	4.06 - 9.14

TL-7800 Line



Series 788x Strikes

Any 788x series strike may be used with any latch. Strikes are steel and zinc plated with yellow chromate finish. Stainless Steel strikes are available on special order. (Change the finish suffix from "-Z3Y" to "-SS" on the strike part number.)

7886-C2-Z3Y and 7882-C2-SS				7880-C5-Z3Y and 7880-C5-SS			
		(inch)	(mm)			(inch)	(mm)
A	.590	14.99	A	.20	5.08		
B	.200	5.08	B	1.18	29.97		
C	.394	10.01	C	.866	22.00		
D	.06	1.52	D	.167	4.24		
E	1.050	26.67	E	1.13	28.70		
			F	.394	10.01		
			G	.06	1.52		
			H	1.72	43.69		
7880-C7-Z3Y and 7880-C7-SS				7880-C9-Z3Y and 7880-C9-SS			
		(inch)	(mm)			(inch)	(mm)
A	.06	1.52	A	.150	3.81		
B	.54	13.72	B	1.18	29.97		
C	.167	4.24	C	.866	22.00		
D	.866	22.00	D	.167	4.24		
E	1.18	29.97	E	.590	14.99		
F	.16	4.06	F	.210	5.33		
			G	.06	1.52		
			H	.375	9.53		
			I	.230	5.84		